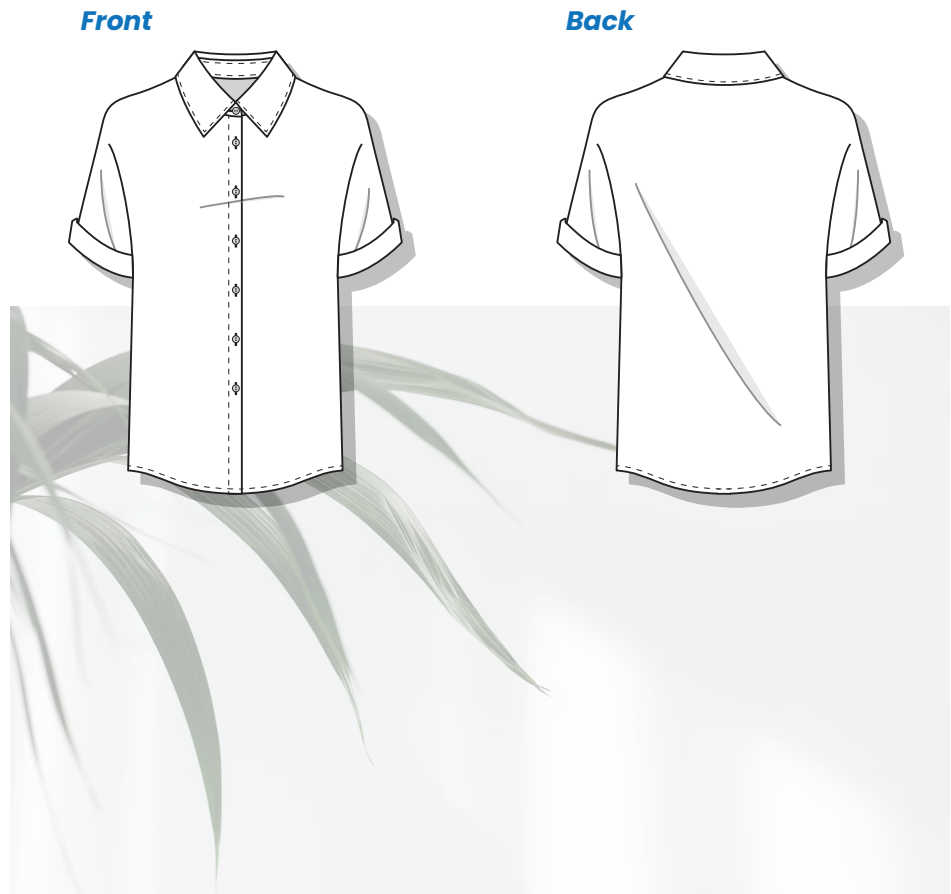


#UP1019 Kimono shirt

Tackle shirt making fearlessly with this stylish and cozy shirt. It features short kimono sleeves with turn-ups, a shirt collar, a curved hem and a front button closure. Its relaxed silhouette ensures a comfortable fit that you will love to wear this summer.

1 cm seam allowance included!



Material

- 150 x 150 cm chambray, oxford, light poplin, viscose, double gauze, linen or lawn
- 70 x 110 cm fusible interfacing
- All-purpose thread
- Universal needle
- 7x buttons (1 cm wide)

Print & Assemble

- First, be sure to use ACROBAT READER to open your PDF sewing patterns. It's free!
- Then, open your file and click on the LAYERS icon (left side of the screen) and uncheck all the sizes you won't need.
- Now, click on the PRINT icon at the top of the screen. The print settings will appear, so verify that the ACTUAL SIZE option is checked. Click on the PRINT button!
- A 5 x 5 cm (and 2 x 2") control square is provided to ensure that your pattern is true to size.
- To ASSEMBLE, cut the sheets at the bottom and right margins, as indicated. Each sheet is labelled with a letter and a number (A1, B2...), so tape them together in numerical and alphabetical order. The sheets on one row should have the same letter, and the ones on the same column should have the same number.

Sizing Guide

	XXS	XS	S	M	L	XL	XXL
Bust	85 cm	89 cm	93 cm	99 cm	105 cm	113 cm	121 cm
Waist	64 cm	68 cm	72 cm	78 cm	84 cm	92 cm	100 cm
Hips	92 cm	96 cm	100 cm	106 cm	112 cm	120 cm	128 cm

Garment measurements

- **Length** (shoulder to hem): approx. 66 cm

This pattern is drafted according to a standard height of **1.64 m**.

#UP1019

Kimono shirt

Pattern Pieces

- Front, 2x fabric
- Back, 1x fabric
- Hook, 1x fabric
- Collar, 2x fabric 2x interfacing
- Stand, 2x fabric 2x interfacing

Sewing Assembly

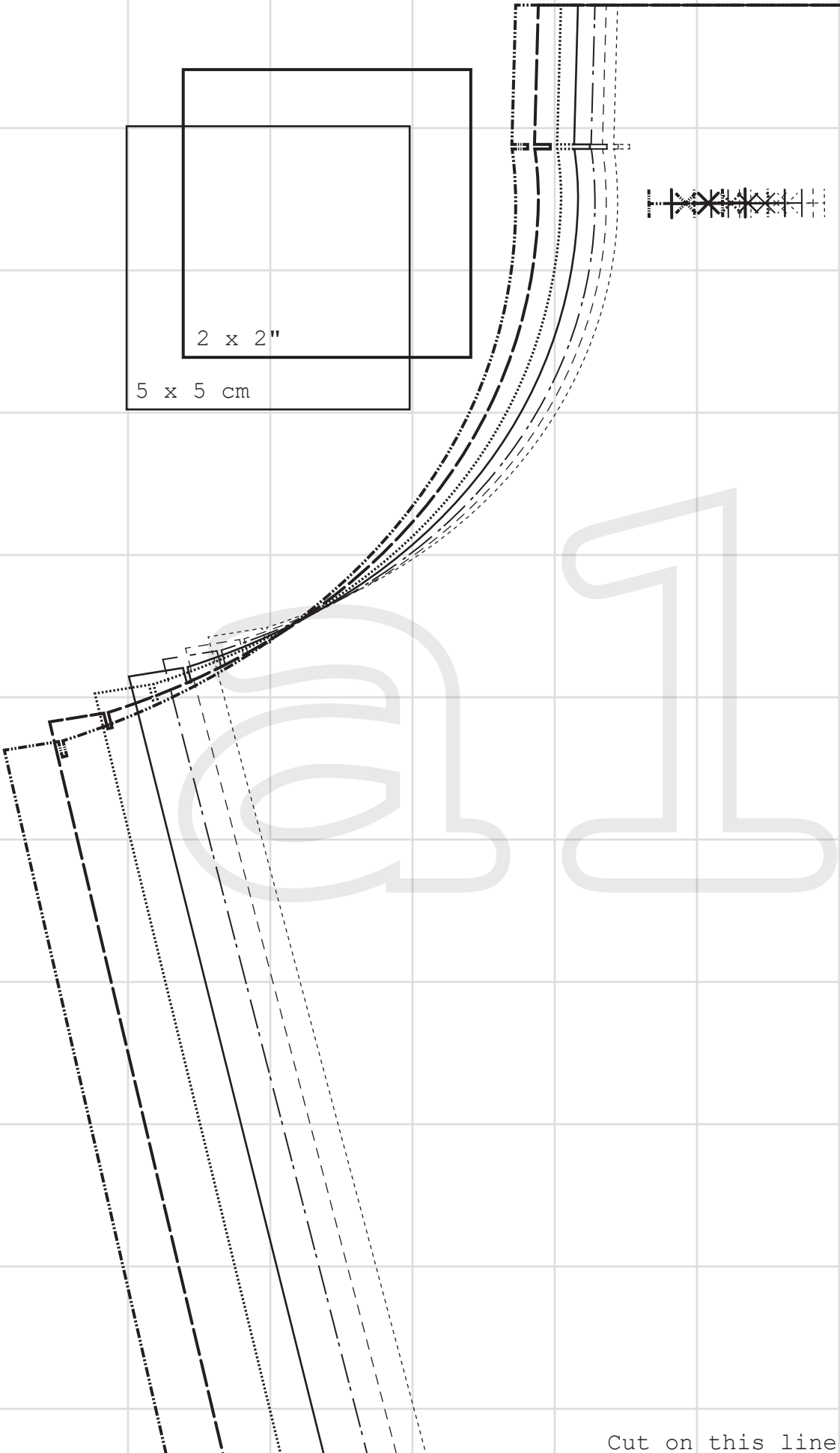
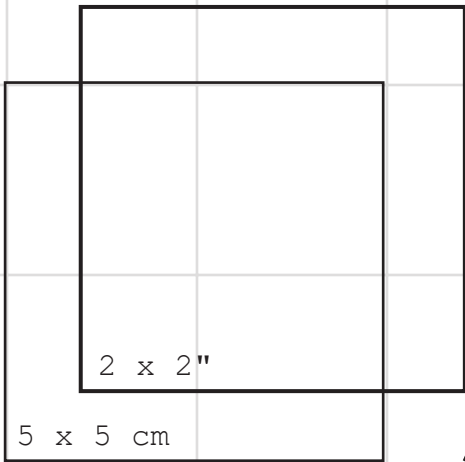
Unless otherwise specified, sew using a **1 cm** wide seam allowance.

1. Fuse the collar, stand and front placket.
2. Sew the shoulders.
3. Make the front placket (turn once 2.5 cm).
4. Make and baste the hook on the back neckline.
5. Make the collar and attach to the stand.
6. Assemble the stand to the neckline.
7. Sew the side seams.
8. Hem the bottom of sleeves (turn once 6 cm).
9. Fold the turn-ups as desired and anchor stitch to keep in place.
10. Hem the bottom of shirt (turn twice 0.5 cm).
11. Place buttons on the left-hand side of the garment and sew the buttonholes on the other side.



Share a photo of you
wearing proudly
your new kimono shirt
with
#unfetteredpatterns!





Cut on this line

Cut on this line

Cut on this line

unfettered
— - unfettered patterns —

unfetteredpatterns.wordpress.com

Model **#UP1019**

Sizes **XXS-XXL**

Front

Cut 2x fabric

Cut on this line



Cut on this line

SIZE KEY

- XXL
- XL
- L
- M
- S
- XS
- XXS

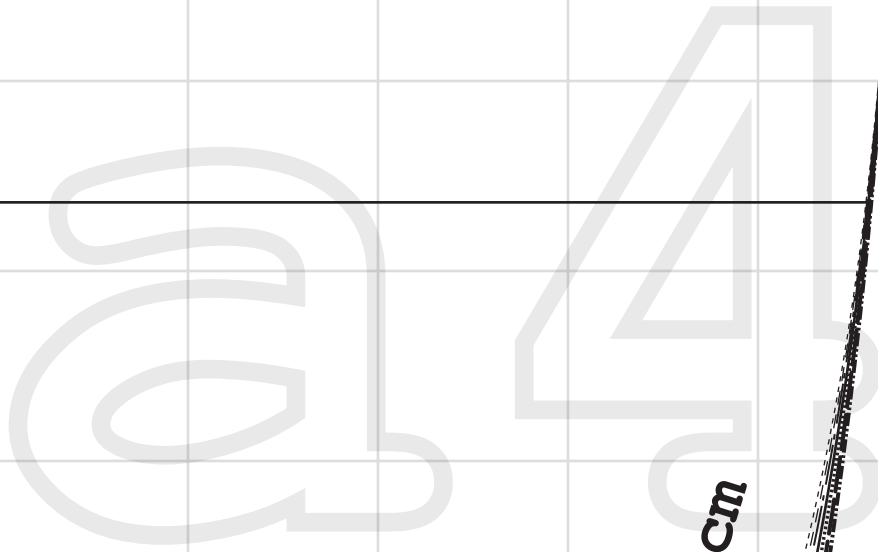
Grainline

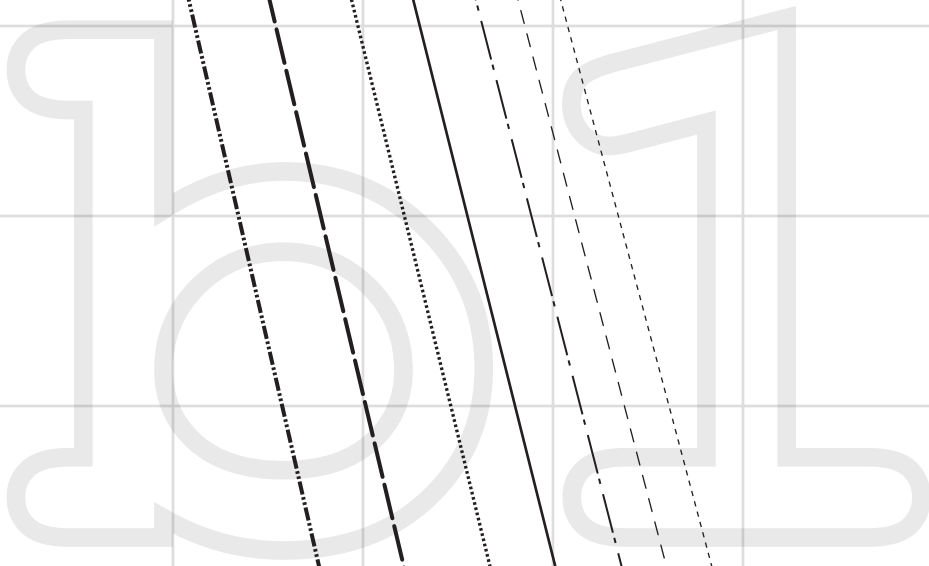


Cut on this line

Cut on this line

Hem allowance 1 cm





Cut on this line

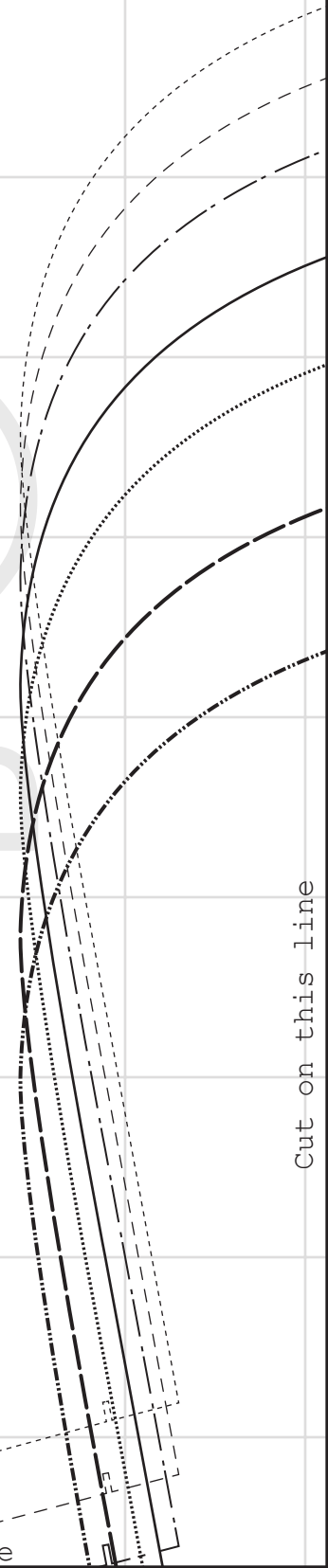
Cut on this line

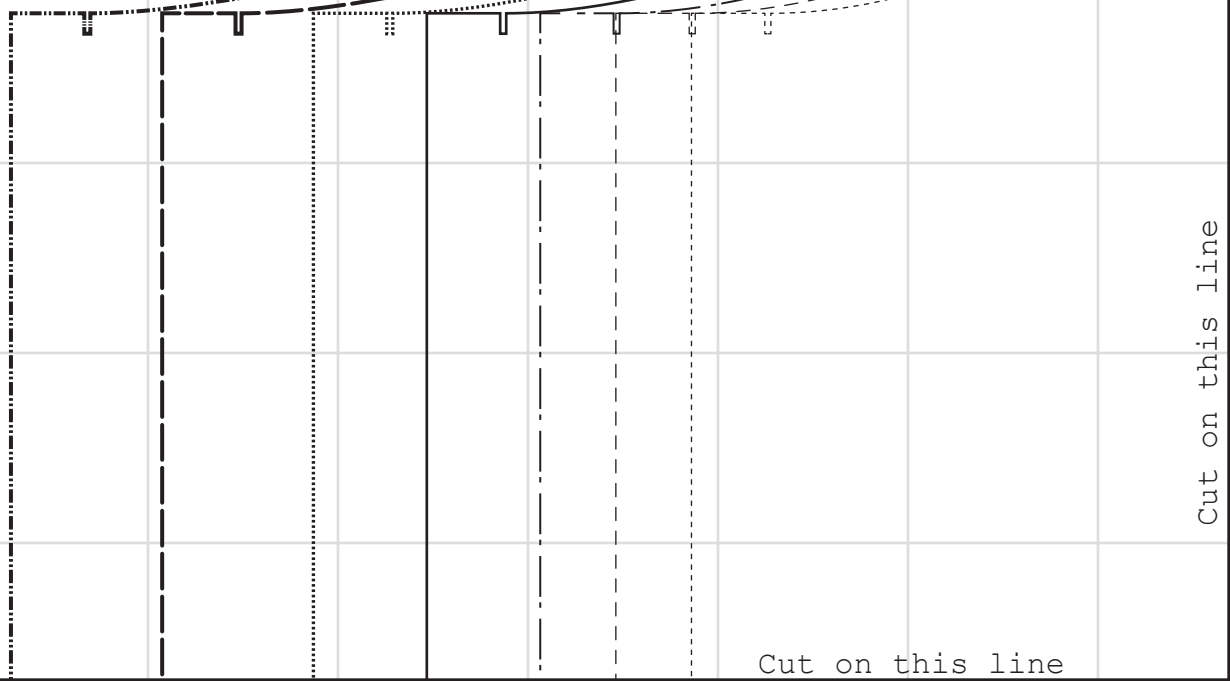
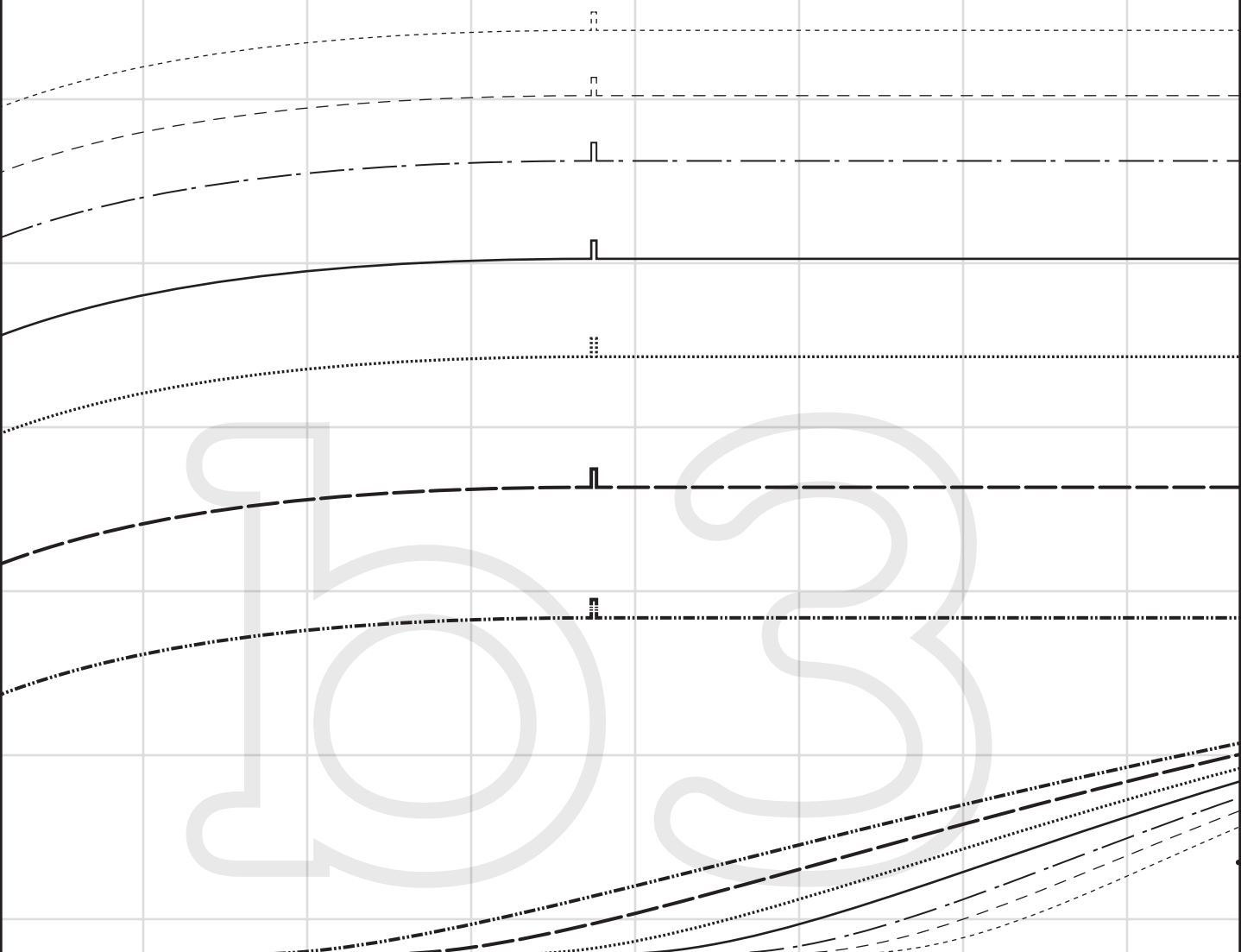
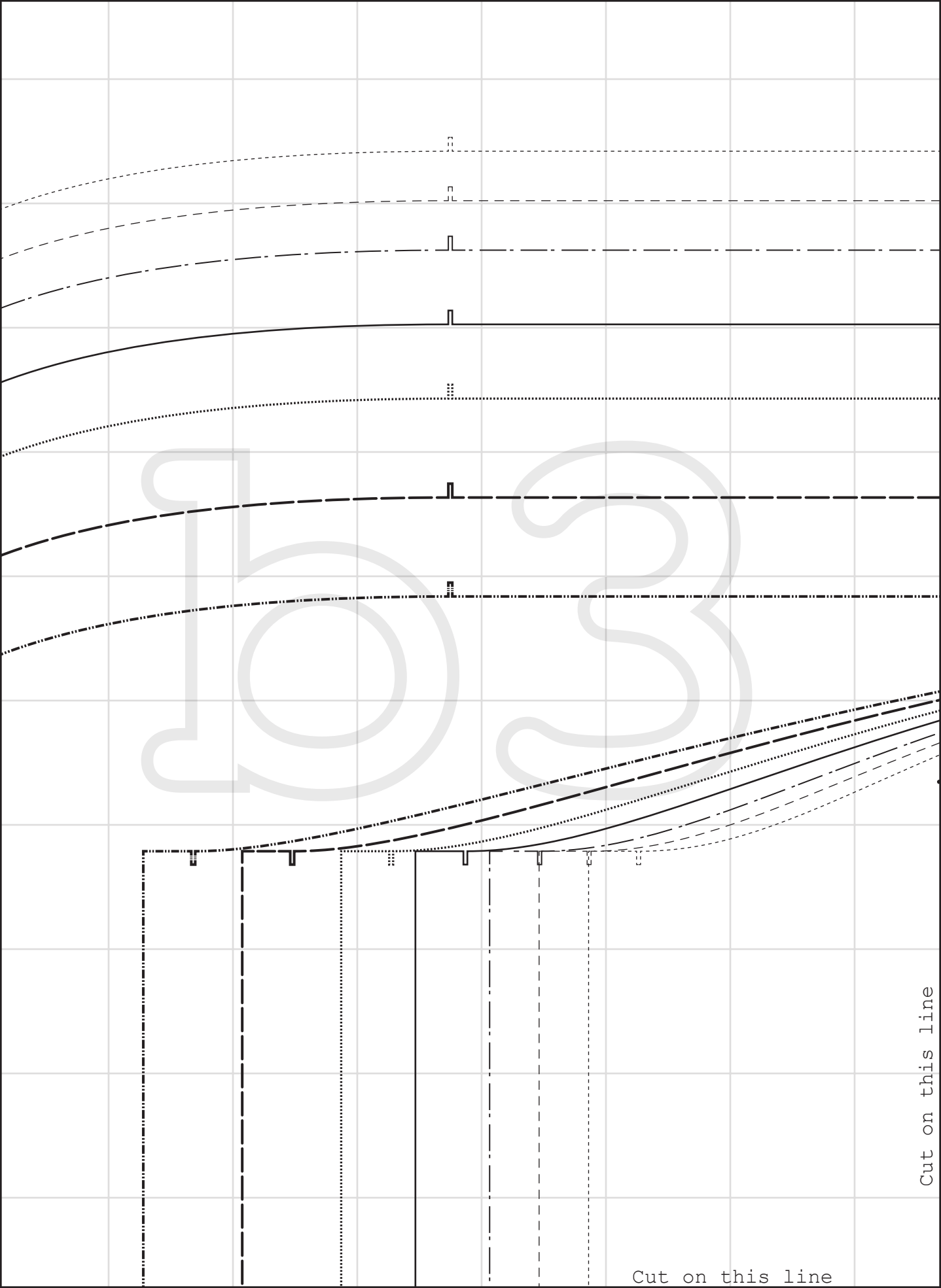
102

allowance 6 cm

Cut on this line

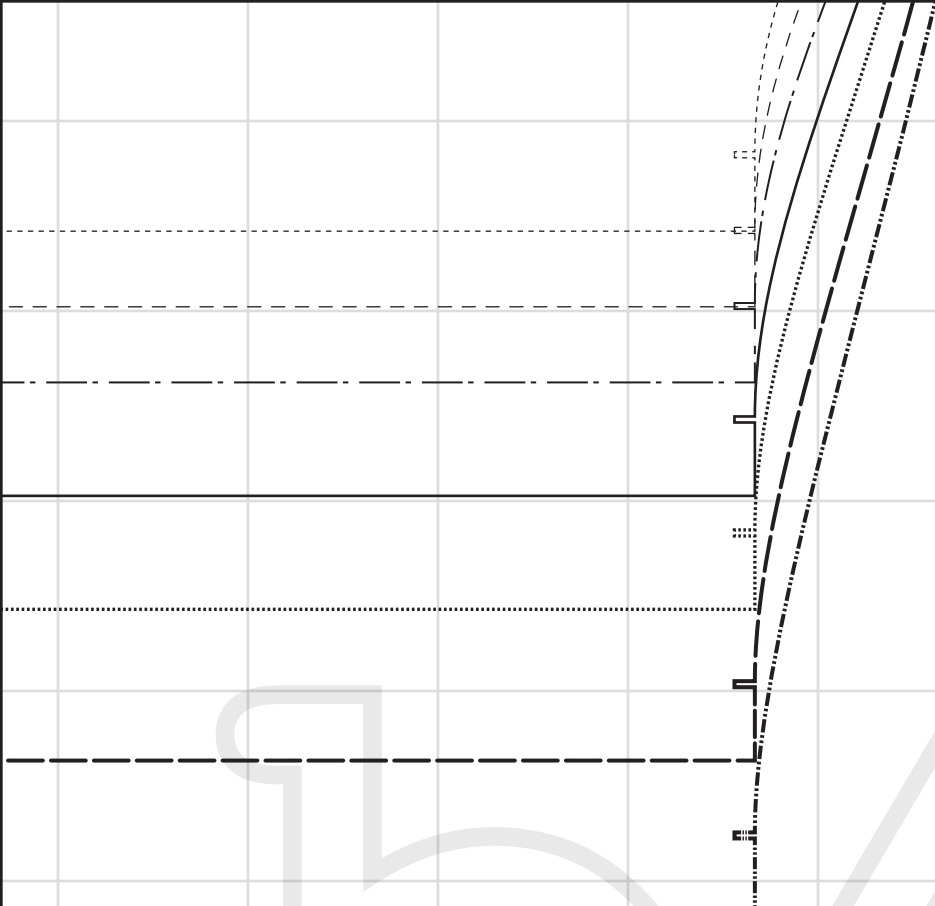
Cut on this line






Cut on this line

Cut on this line

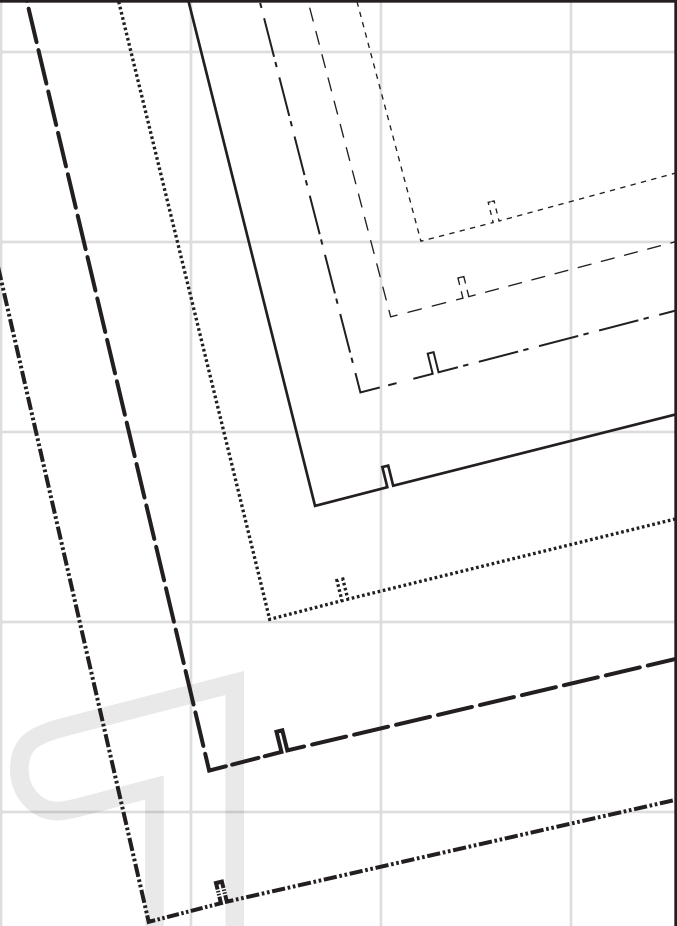


Hem allowance 1 cm

unfetteredpatterns.wordpress.com
Model #UP1019
Sizes XXS-XXL
Hook
Cut 1x fabric

Grainline 

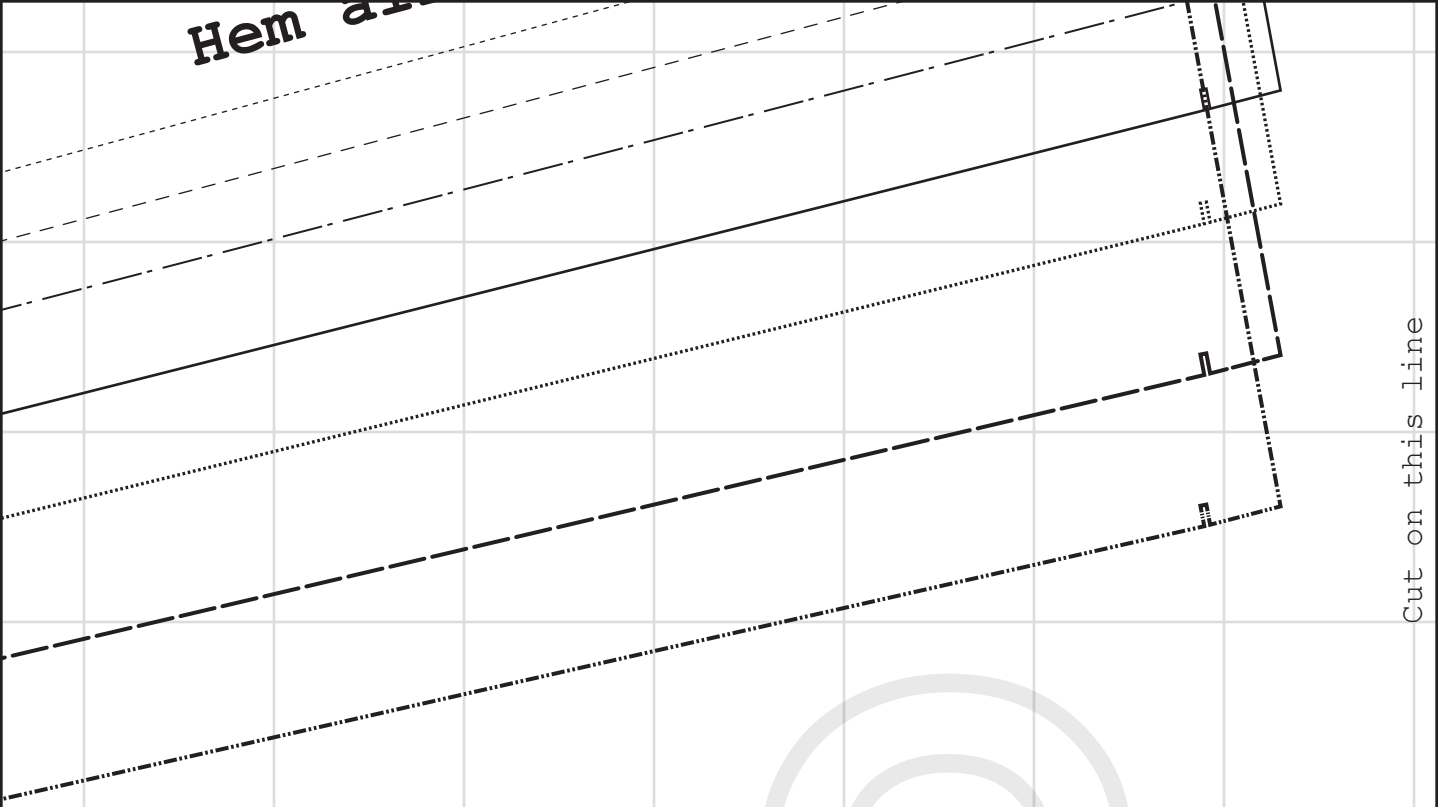
Cut on this line



Cut on this line

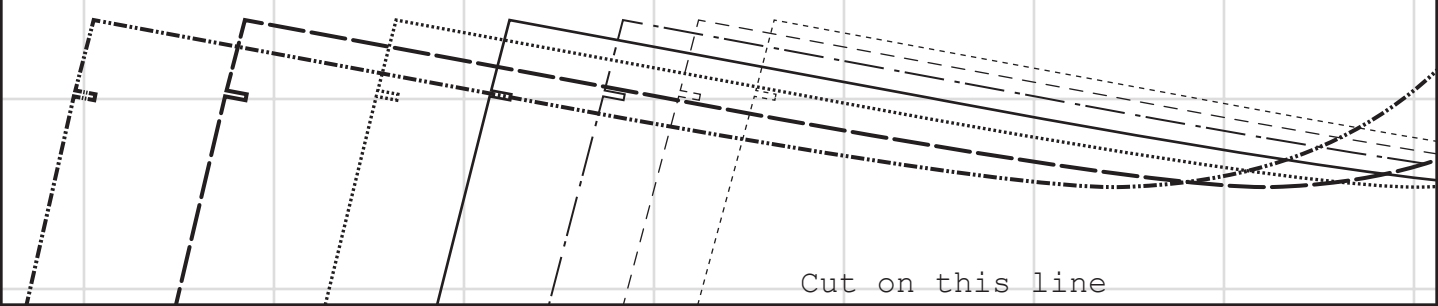
Cut on this line

Hem a1

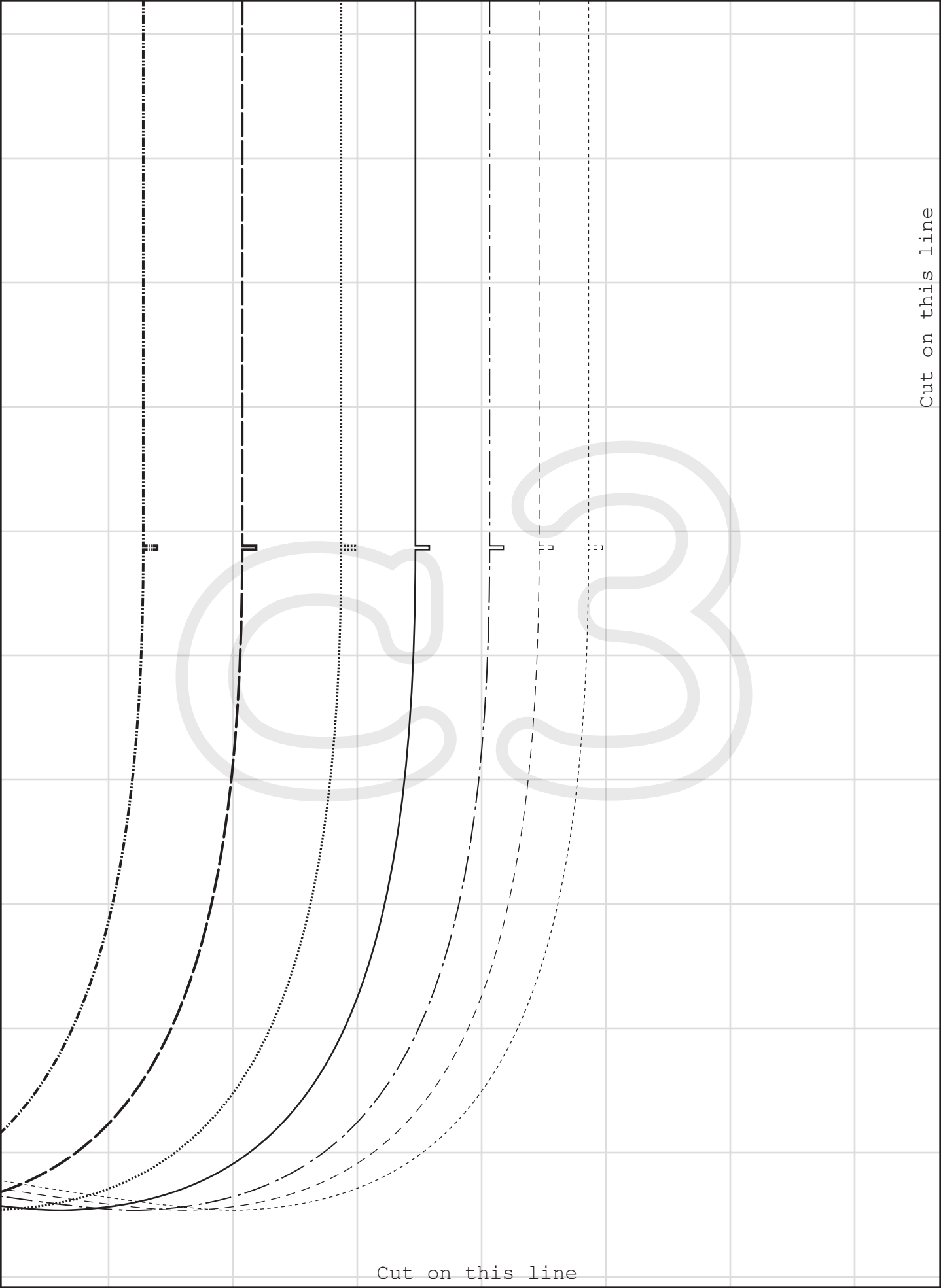


Cut on this line

© 2

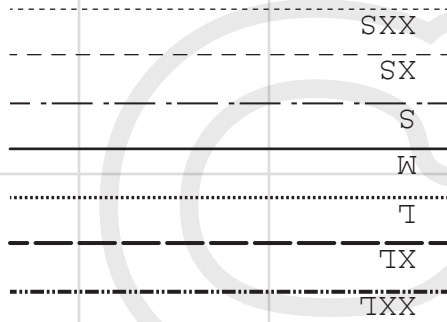


Cut on this line



Cut on this line

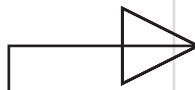
Cut on this line



SIZE KEY

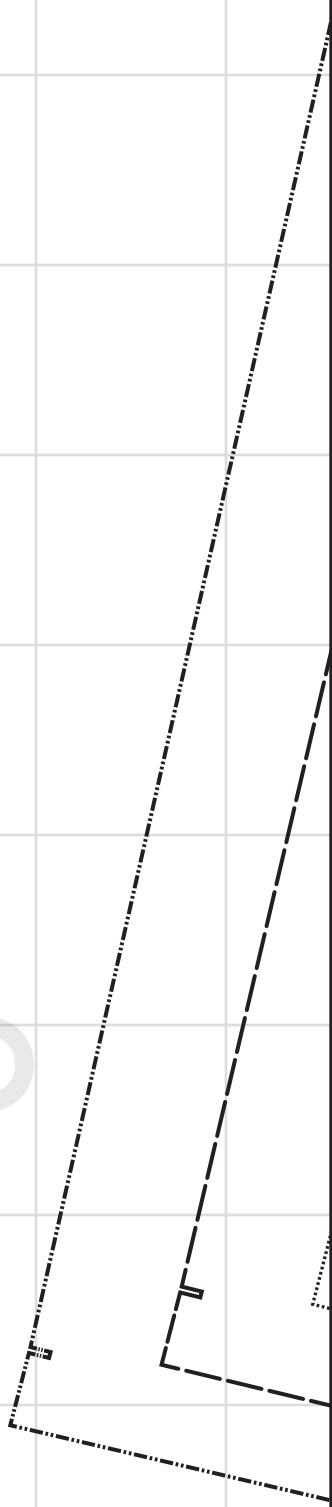


Cut this edge
one fold of the fabric

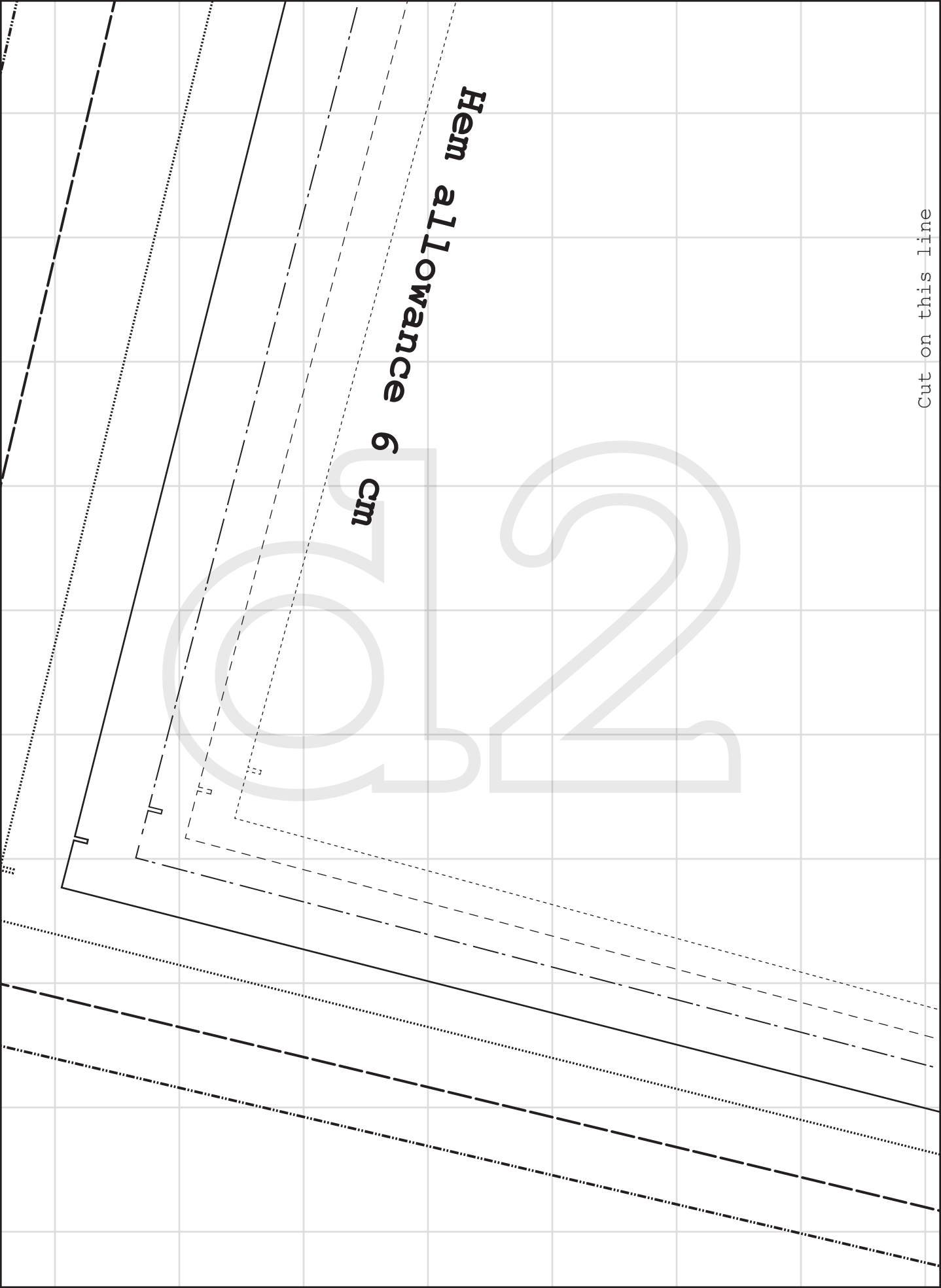


Cut on this line

011



Cut on this line

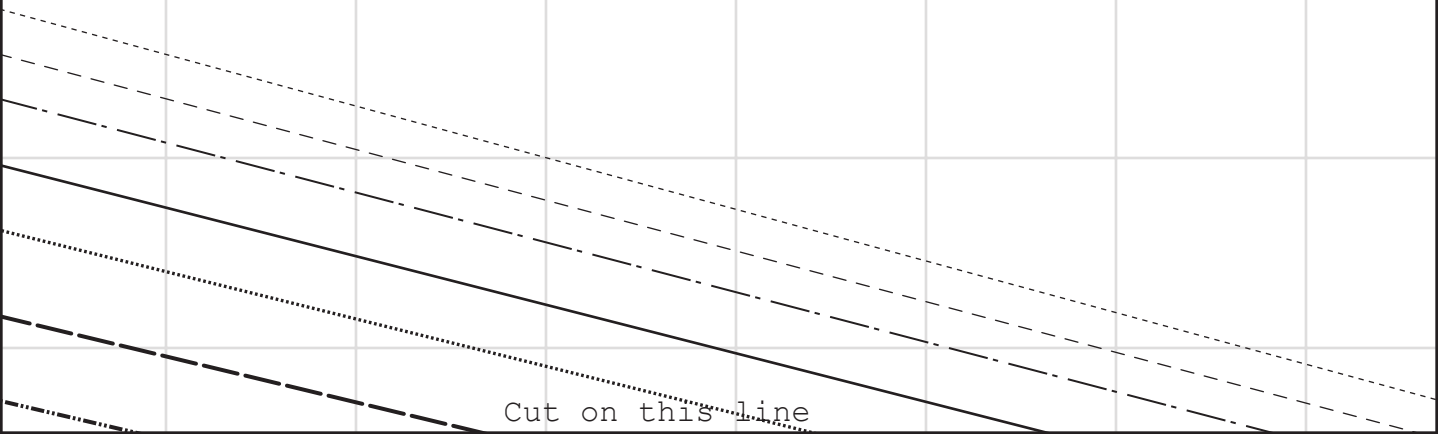


Hem allowance 6 cm

Cut on this line



Cut on this line



Cut on this line

on t

Cut 1x fabric

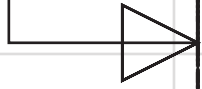
Back

Sizes **XXS-XXL**

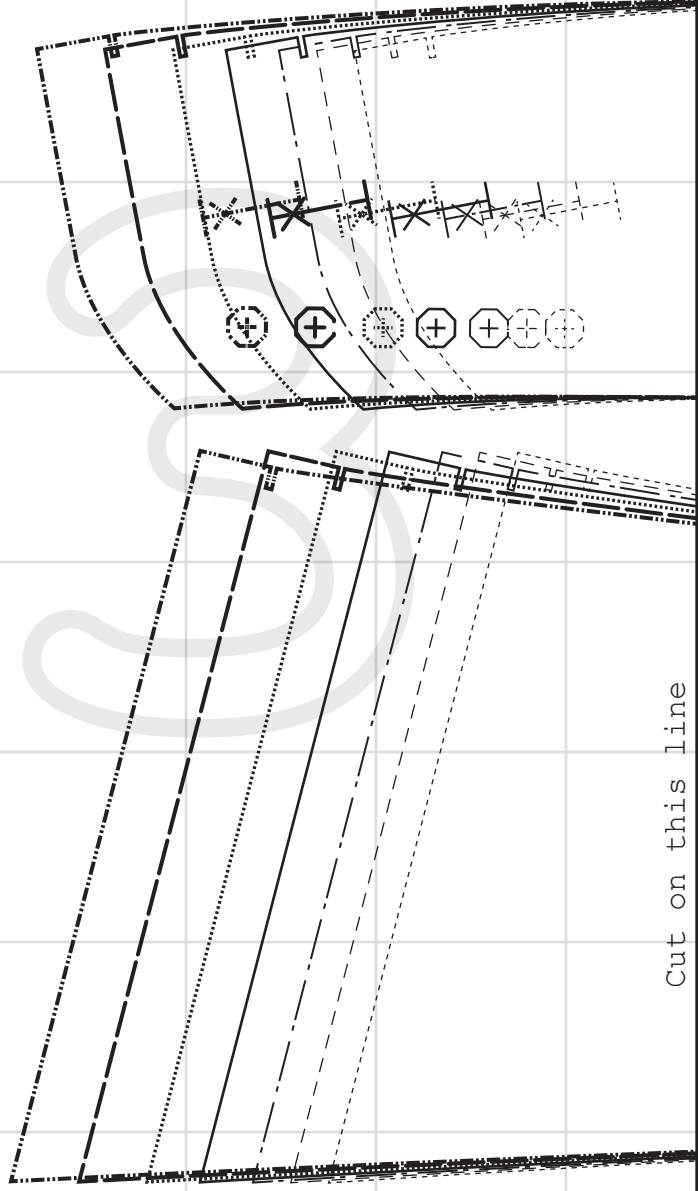
Model #**UP1019**

unfetteredpatterns.wordpress.com

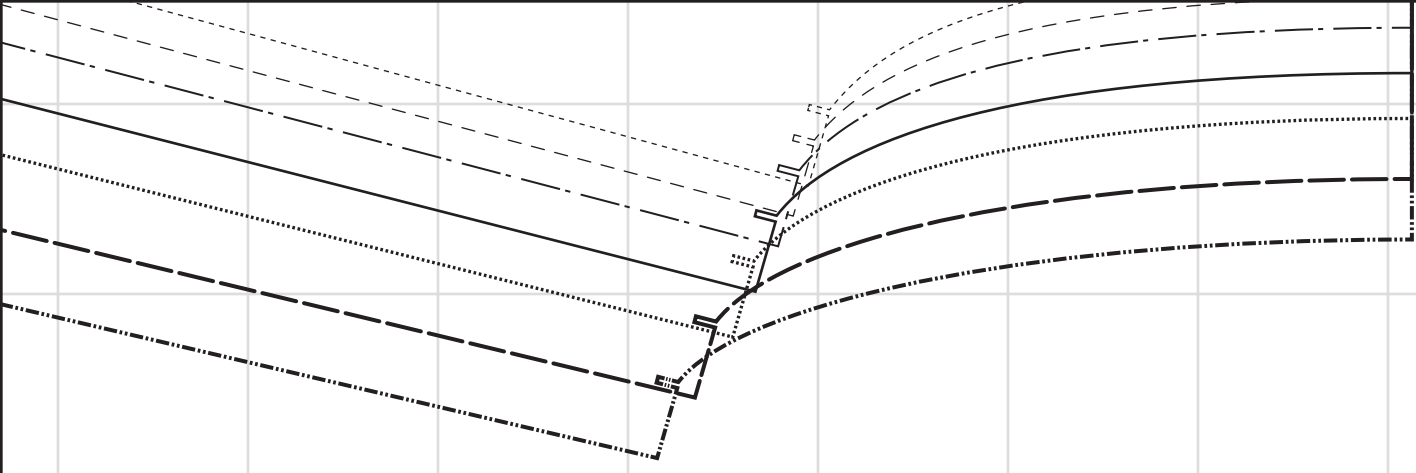
unfettered
-unfettered patterns-



Cut on this line

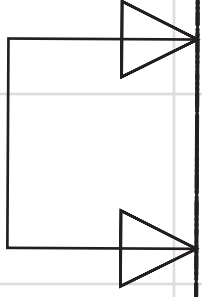


Cut on this line



unfetteredpatterns.wordpress.com
 Model #UP1019
 Sizes XXS-XXL
Stand
 Cut 2x fabric
 Cut 2x interfacing

Cut this edge
 on the fold
 of the fabric



unfetteredpatterns.wordpress.com
 Model #UP1019
 Sizes XXS-XXL
Collar
 Cut 2x fabric
 Cut 2x interfacing

Cut this edge
 on the fold
 of the fabric

